

## EVD 560

Electronic Volumetric Dosing System

---

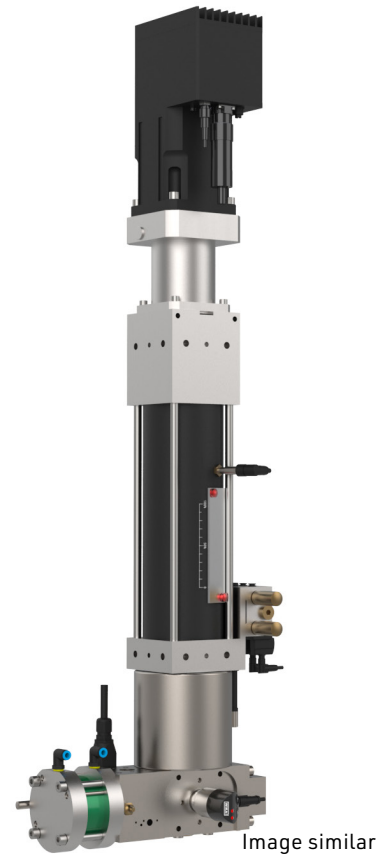
Dosierer

## Functional description

The EVD dosing unit guarantees a precisely defined application of the used material. For the application job, the dosing chamber gets filled with material. The material is then pressed in the direction of the material outlet.

## Product characteristics

- ✓ High speed reaction
- ✓ Simple assembly and disassembly
- ✓ Extendable to a 2C-application system
- ✓ Available as a fully heated system
- ✓ Independent of viscosity variation
- ✓ High lifetime with low maintenance costs
- ✓ Programmable purge and maintenance intervals
- ✓ Easy to maintain due to separate material and drive chamber
- ✓ Precise dosing with a repeat accuracy above 99 %
- ✓ Detailed visualization with control function (output of material, filling level, temperature, pressure, torques, maintenance rate / counter etc. )
- ✓ Dependent regulation of the superior system (e.g. robot), with the possibility of offset or tolerance parameters adjustable via the main control unit



## General technical data

Dimensions (WxDxH)	245 mm x 476 mm x 1515 mm
Mass	ca. 85 kg
Operating voltage	230/400 V 3AC
Rated current	4,2 A
Power	2350 W
Max. temperature	120 °C
Max. application pressure	250 bar
Max. flow rate	80,2 cm <sup>3</sup> /s
Net volume	559,23 cm <sup>3</sup>
Rated speed rpm	3000 rpm
Rated torque	7,5 Nm
Material connection	project specific
Housing material	SS/AL

## Applicable materials

PVC and other sealants

---

Fats and lubricants

---

Pasty coating materials

---

Sealing materials

---

Silicones and urethanes

---

Epoxy resins and acrylates

---

Potting compounds

---

Anaerobic adhesives

---

Solder pastes

---

Colours, varnishes, colour pastes

---

Additives

---

Suspensions and emulsions

---

## Processible product characteristics

Low to medium viscosity

---

Highly filled

---

Abrasive

---

Shear sensitive

---

Aggressive

---

